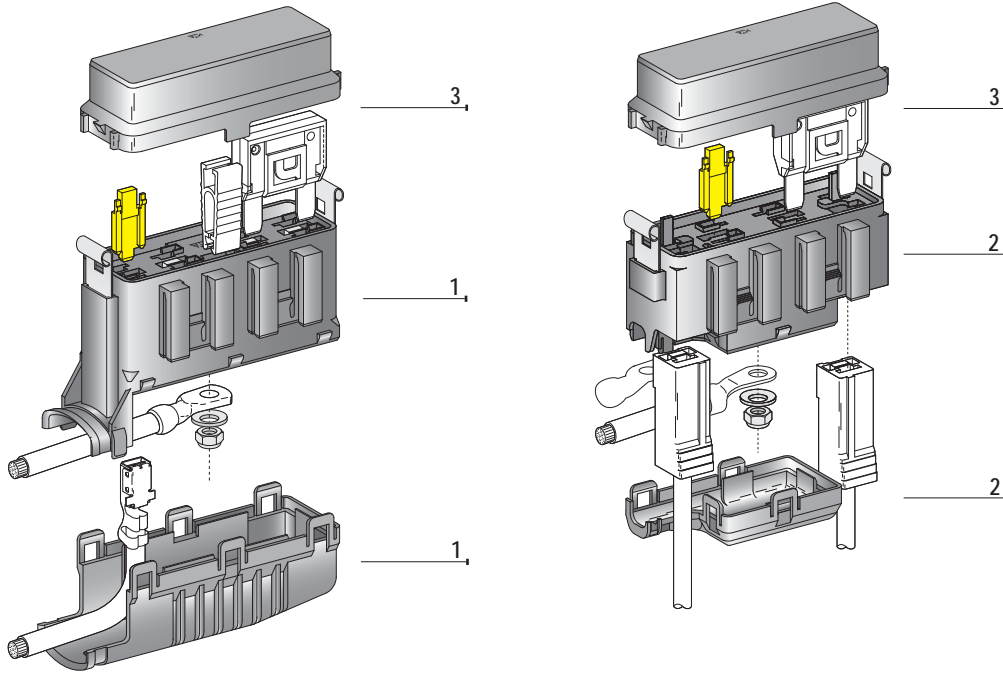
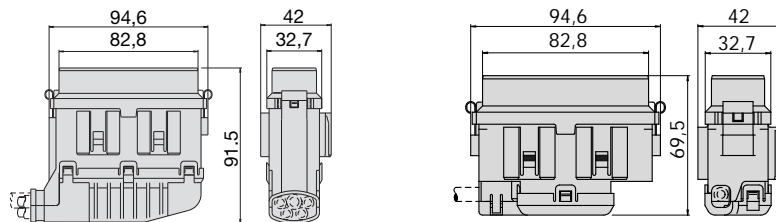


LINK BOX



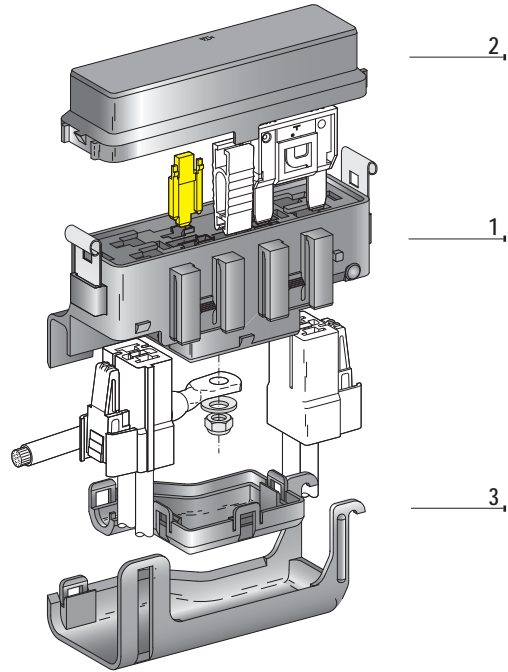
IMG	DESCRIPTION	WAY	MATERIAL	COLOUR	P/N KIT WITH COVERS	M.O.Q.	P/N BULK	M.O.Q.
1	HOUSING + BOTTOM COVER + S.LOCK + NUT	4	PA66 GF25 PA66	■Black	0100500	5	0300500	200
2	HOUSING + BOTTOM COVER + S.LOCK + NUT	2	PA66 GF25 PA66	■Black	0100900	10	0300900	200
3	COVER WITH GASKET		PA66 GF25	■Black			0300950	200



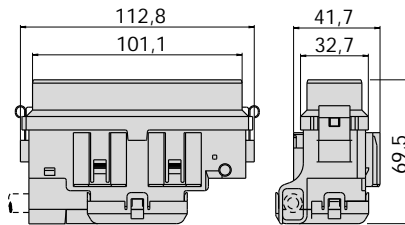
CONNECTIONS AND FIXINGS

0300949	0300851	0300690	0300691	F800	1605000	GND L32 M6	4540145	4540135	4545100
IMG	1+2	1+2	1+2	1+2	1	2	2	2	2

LINK BOX



IMG	DESCRIPTION	WAY	MATERIAL	COLOUR	P/N KIT WITH COVERS	M.O.Q.	P/N BULK	M.O.Q.
1	HOUSING + BOTTOM COVER + S.LOCK + NUT	4	PA66 GF25 PA66	■Black	0100800	5	0300800	150
2	UPPER COVER WITH GASKET		PA66 GF25	■Black			0300850	150
3	WIRE'S COVER		PA66	■Black			0300849	400



CONNECTIONS AND FIXINGS



0300949



0300848



0300691



F800



1605000



4540315



4540345



0300851



4545100