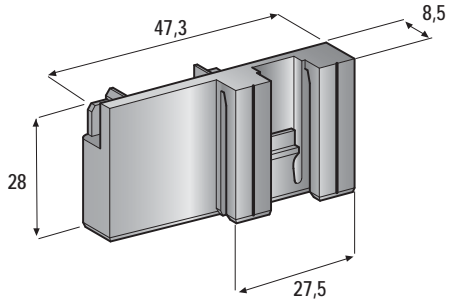
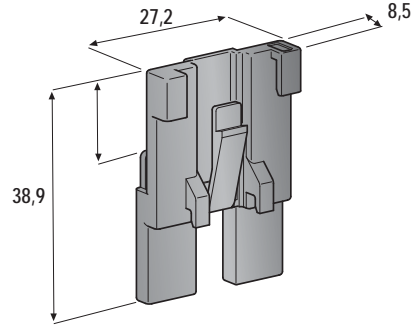


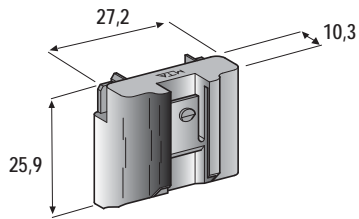
# ADAPTERS



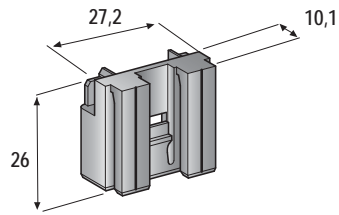
1



2



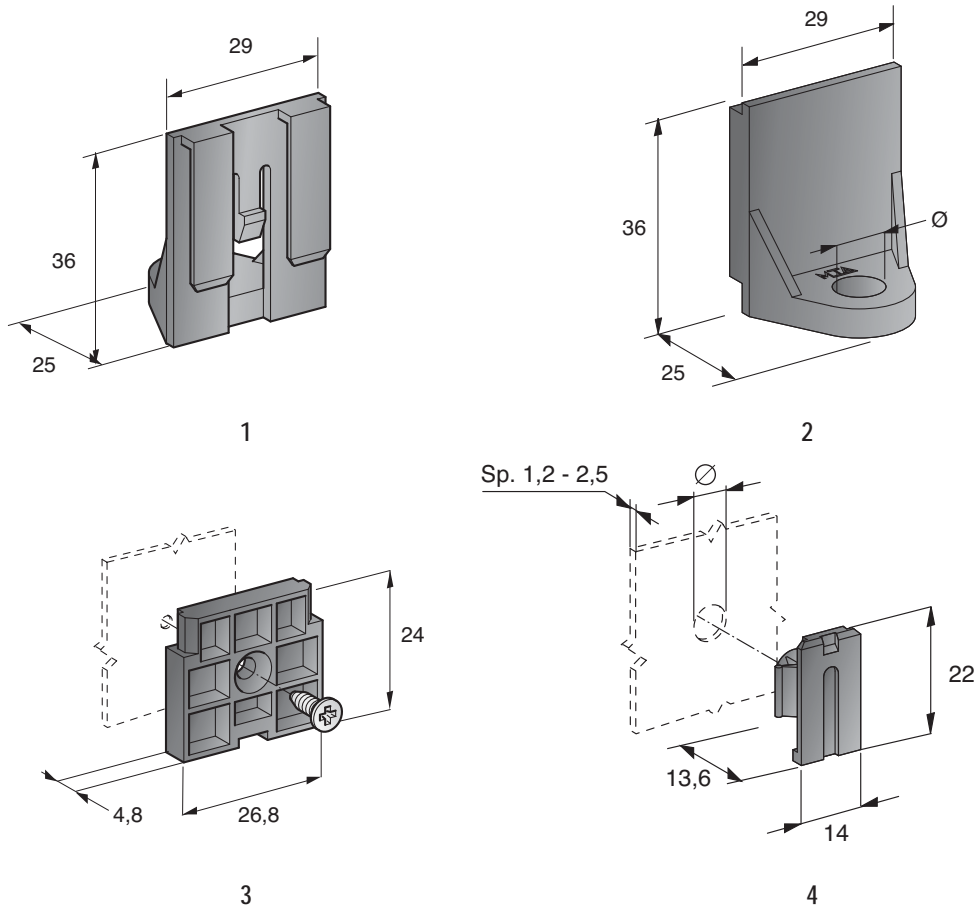
3



4

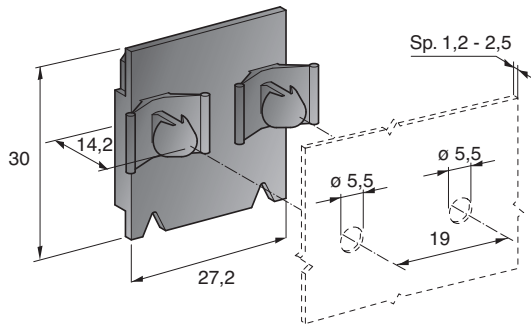
IMG	DESCRIPTION	MATERIAL	COLOUR		P/N BULK	M.O.Q.
1	ADAPTER	PA66 GF25	■Black		0300851	1000
2	ADAPTER	PA66 GF25	■Black		0300856	1500
3	ADAPTER	PA66 GF25	■Black		0300848	400
4	ADAPTER	PA66 GF25	■Black		0300949	1500

# FIXING PLATES

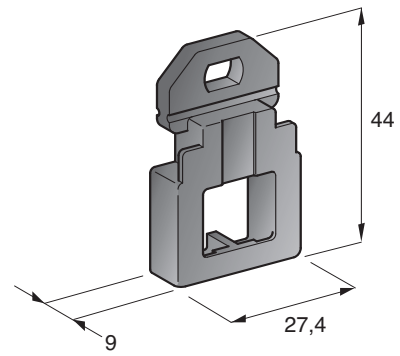


IMG	DESCRIPTION	Ø mm	MATERIAL	COLOUR	P/N BOX	M.O.Q.	P/N BULK	M.O.Q.
1	MOUNTING BRACKET MALE	8,5	PA66	■Black			0300690	100
2	MOUNTING BRACKET FEMALE	8,5	PA66	■Black			0300691	100
3	FIXING PLATE WITH 1 SCREW	3,6	PP GF30	■Black	0100352	250	0300352	1000
4	FIXING PLATE BY PRESSURE	6,5	PA66	■Black			0300395	1000
	FIXING PLATE BY PRESSURE	8,0	PA66	■Black			0300398	1000

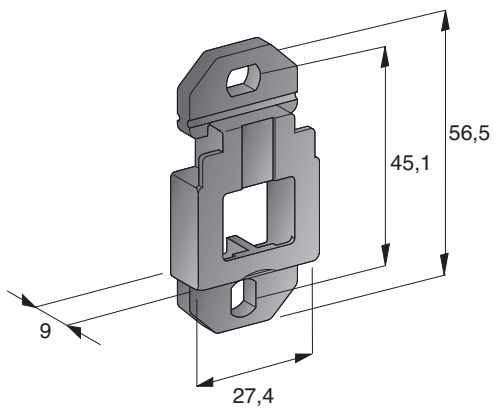
# FIXING PLATES



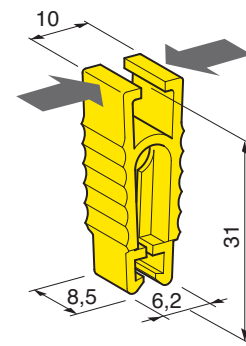
1



2



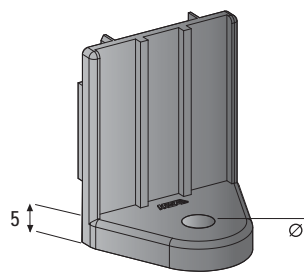
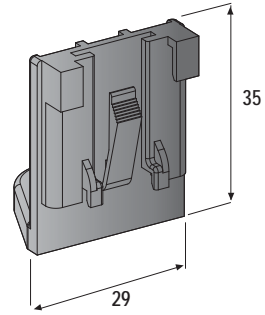
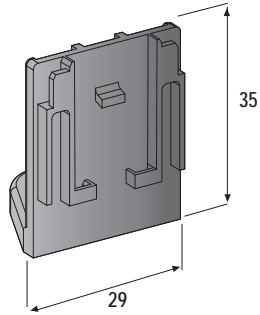
3



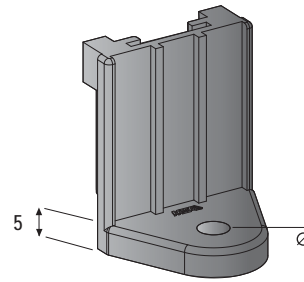
4

IMG	DESCRIPTION	SCREW ∅ mm	MATERIAL	COLOUR	P/N BOX	M.O.Q.	P/N BULK	M.O.Q.
1	FIXING PLATE	5,5	PA66	■ Black	0100392	100	0300392	1000
2	FIXING PLATE	M 5	PA66	■ Black	0100430	100	0300430	1000
3	FIXING PLATE	M 5	PA66	■ Black	0100440	100	0300440	250
4	EXTRACTOR FOR BLADE FUSE		PP	■ Yellow	0100358	250	0300358	3000

# FIXING PLATES



1



2

IMG	DESCRIPTION	∅ mm	MATERIAL	COLOUR		P/N BULK	M.O.Q.
1	MOUNTING BRACKET MALE	5,5	PA66	■Black		0300697	100
2	MOUNTING BRACKET FEMALE	5,5	PA66	■Black		0300698	100