

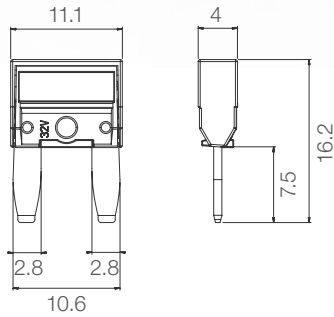
# MINIVAL<sup>®</sup>



## GENERAL DESCRIPTION

Breaking capacity	1000 A
Voltage rating	32 V
Ambient temp. + overheating	-40 °C to +125 °C
Body material	See table below
Cover material	PSU
Cover color	Transparent
Blade material	Zinc
Blade coating	Tin plated
Compliant with	ISO 8820-3 (type F) REACH, RoHS

## OVERALL DIMENSIONS



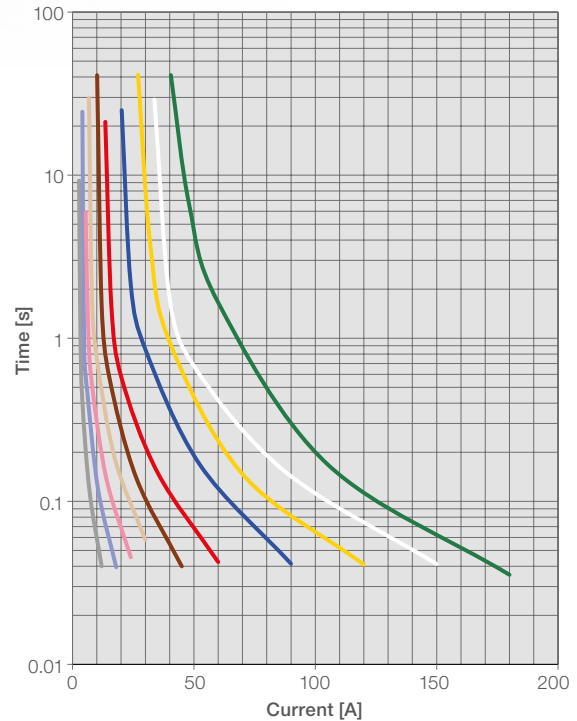
Dimensions in mm.

## MELTING TIME AND CURVE

Operating time limits:

% IR	Min [s]	Max [s]
1.00	-	-
1.10	360000	∞
1.35	0.75	120*
1.60	0.25	50
2.00	0.15	5
3.50	0.04	0.5
6.00	0.02	0.1

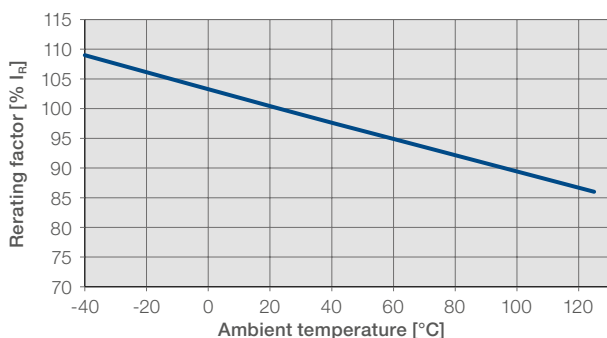
\*exceeds ISO requirements (600 s).



## RATINGS

Size [A]	Color coding	Body material	Expected voltage drop [mV]	ISO cable size [mm <sup>2</sup> ]	I <sup>2</sup> t [A <sup>2</sup> s]
2	Grey	PC	128	0.35	135
3	Violet	PC	122	0.35	115
4	Pink	PC	121	0.35	156
5	Beige	PC	112	0.5	217
7.5	Brown	PC	110	0.75	256
10	Red	PC	106	1.0	387
15	Blue	PC	105	1.5	720
20	Yellow	PC	97	2.5	980
25	Natural	PSU	96	2.5	1344
30	Green	PSU	95	4.0	1692

## RERATING CURVE



Products, information, drawings, specifications and reference numbers (hereafter "contents") discussed herein are for reference purposes only. All contents herein are provided on an "as is" basis, without warranties of any kind. The contents discussed herein remain the sole and exclusive property of MTA S.p.A. and shall not be copied, translated in whole or in part without MTA S.p.A. prior written consent. No license of any patent, copyright, mask work, trademark or any other intellectual property right is granted under this document, by implication, estoppel or otherwise. Contents may be modified and changed by MTA S.p.A. without any notice. For updates or additional information about MTA products, please contact your nearest MTA office. All brand names, trademarks and registered trademarks belong to their respective owners.