

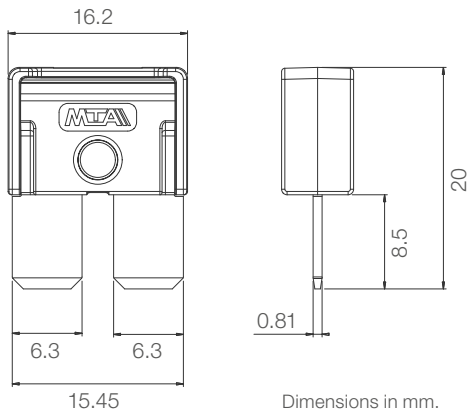
MAXICOMPACT



GENERAL DESCRIPTION

Breaking capacity	1000 A
Voltage rating	32 V
Ambient temp. + overheating	-40 °C to +125 °C
Body material	PA66-GF25
Cover material	PESU
Cover color	Transparent
Blade material	Zinc
Blade coating	Tin plated
Vibration class compliant with	ISO 16750-3 Test IV
Compliant with	ISO 8820-10 (type L) REACH, RoHS

OVERALL DIMENSIONS



MELTING TIME AND CURVE

Operating time limits:

% IR	Min [s]	Max [s]
1.00	360000	∞
1.10	-	-
1.35	60	300
1.60	10	70
2.00	2	30
3.50	0.2	7
6.00	0.04	1

RATINGS

Size [A]	Color coding	Expected voltage drop [mV]	ISO cable size [mm ²]	I ² t [A ² s]	Average cold resistance* [mΩ]
25	White	< 125	2.5	10500	2.8
30	Light green	< 120	2.5	13500	2.2
35	Dark green	< 120	4.0	12500	1.7
40	Orange	< 120	4.0	15600	1.4
50	Red	< 120	6.0	24500	1.0
60	Blue	< 120	6.0	28200	0.8

* At ambient temperature = 23 ±1 °C, injection time = 0.5 sec

DERATING CURVE

