

M8COMPACT[®] BLADE TYPE FUSE

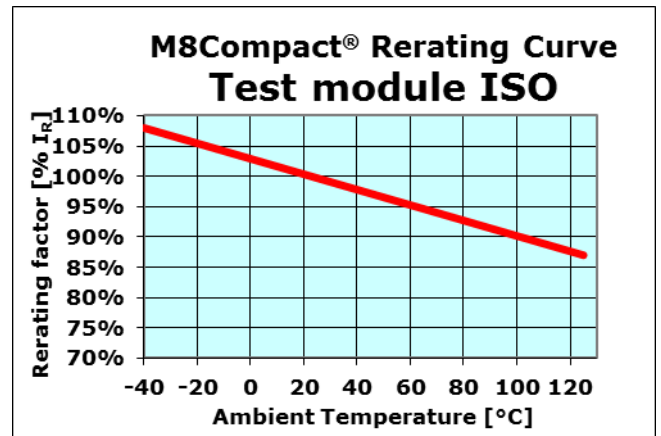
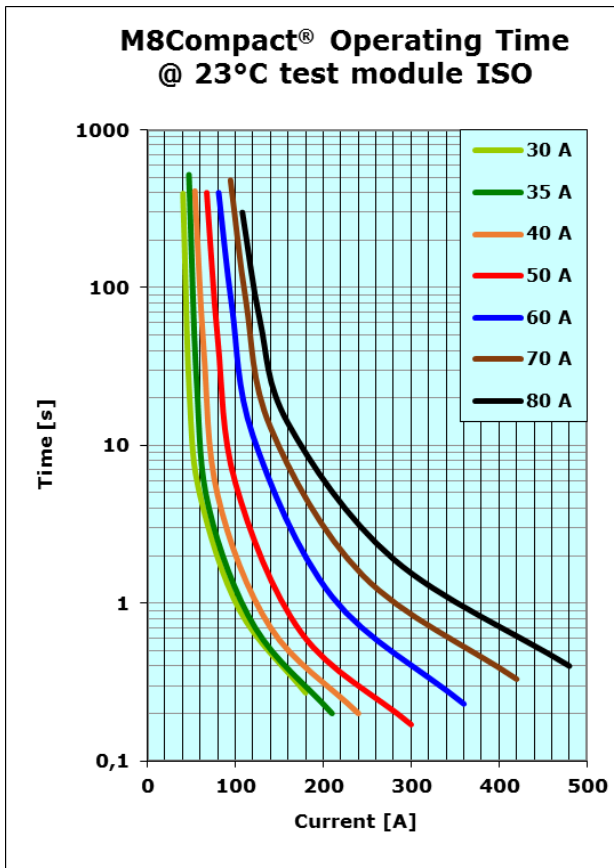
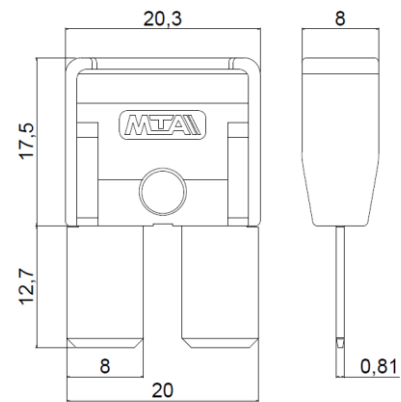
M8Compact[®] is a new family of blade fuses in development, complying with high current capabilities of Type "E" fuses (refer to ISO 8820-3 Standard) and with reduced dimensions as Type "L" fuses (refer to ISO 8820-10 Standard). M8Compact[®] are made of Zinc alloy whose low melting temperature avoids heavy over temperatures.

Breaking capacity: 1000 A
Voltage rating: 32 Vdc
Ambient temperature: -40°C to +125°C



| MTA/ISO M8Compact [®] operating time limits | | |
|--|---------|----------|
| % I _R | min [s] | max [s]* |
| 100 | 360000 | - |
| 135 | 60 | 600 |
| 160 | 10 | 100 |
| 200 | 2 | 30 |
| 350 | 0,2 | 7 |
| 600 | 0,04 | 1 |

*Reduced compared with ISO 8820-3 Type "E"



| CURRENT RATING [A] | VOLTAGE DROP @ current rating [mV] | CABLE SIZE [mm ²] | I ² t* [A ² s] |
|--------------------|------------------------------------|-------------------------------|--------------------------------------|
| 30 | < 120 | 4,0 | 6800 |
| 35 | < 120 | 4,0 | 7200 |
| 40 | < 120 | 4,0 | 10200 |
| 50 | < 120 | 6,0 | 14600 |
| 60 | < 120 | 6,0 | 16000 |
| 70 | < 110 | 10,0 | 42200 |
| 80 | < 110 | 10,0 | 73600 |

*calculated from breaking capacity test