

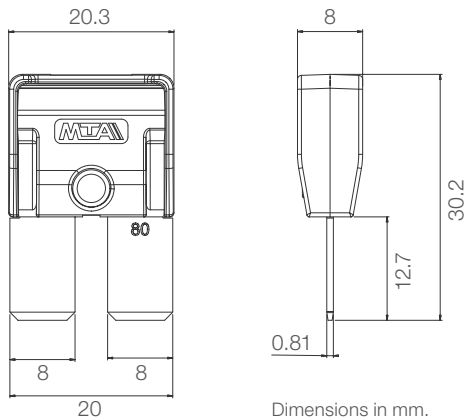
M8COMPACT®



GENERAL DESCRIPTION

Breaking capacity	1000 A
Voltage rating	32 V
Ambient temp. + overheating	-40 °C to +125 °C
Body material	PA66-GF25
Cover material	PESU
Cover color	Transparent
Blade material	Zinc
Blade coating	Tin plated
Vibration class compliant with	ISO 16750-3 Test IV
Compliant with	ISO 8820-11 (type M) REACH, RoHS

OVERALL DIMENSIONS



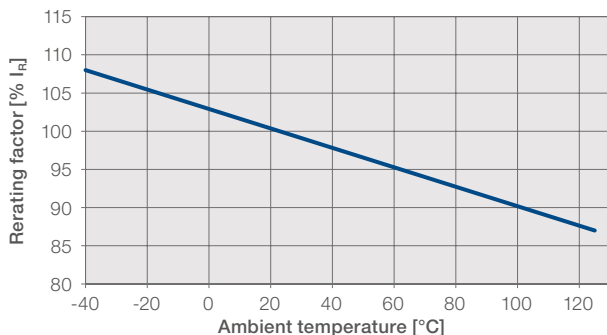
RATINGS

Size [A]	Color coding	Expected voltage drop [mV]	ISO cable size [mm ²]	I ² t* [A ² s]	Average cold resistance** [mΩ]
30	Light green	108	4.0	TBD	2.4
35	Dark green	102	4.0	TBD	1.9
40	Orange	97	4.0	TBD	1.5
50	Red	92	6.0	TBD	1.1
60	Blue	85	6.0	TBD	0.9
70	Brown	82	10	TBD	0.7
80	Black	88	10	TBD	0.6

*Calculated from breaking capacity test.

**At ambient temperature = 23 ±1 °C, injection time = 0.5 sec.

RERATING CURVE



MELTING TIME AND CURVE

Operating time limits:

% IR	Min [s]	Max [s]
100	360000	∞
135	60	900
160	10	200
200	2	60
350	0.2	7
600	0.04	1

Melting time graph at 23°C on test module ISO.

