

UNI^{VAL}®



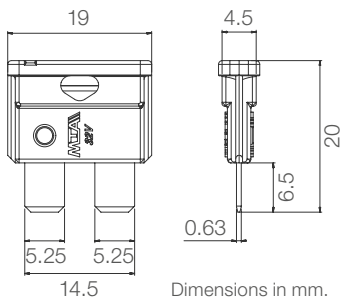
GENERAL DESCRIPTION

Breaking capacity	1000 A
Voltage rating	32 V
Ambient temp. + overheating	-40 °C to +125 °C
Body material	See table below
Blade material	Zinc
Blade coating	See table below
Compliant with	ISO 8820-3 (type C) REACH, RoHS

RATINGS

Size [A]	Color coding	UNI ^{VAL} with window		Transparent UNI ^{VAL} without window		Expected voltage drop [mV]	ISO cable size [mm ²]	I ² t [A ² s]
		Body material	Blade coating	Body material	Blade coating			
1	Black	PBT-GF20	Raw			< 250	0.35	TBD
2	Grey	PBT-GF20	Raw or tin plated			142	0.35	157
3	Violet	PBT-GF20	Raw	PC	Raw	135	0.35	200
4	Pink	PBT-GF20	Raw or tin plated	PC	Raw	126	0.35	205
5	Beige	PBT-GF20	Raw or tin plated	PC	Raw	119	0.5	218
7.5	Brown	PBT-GF20	Raw or tin plated	PC	Raw	139	0.75	304
10	Red	PBT-GF20	Raw or tin plated	PC	Raw	112	1.0	320
15	Blue	PBT-GF20	Raw or tin plated	PC	Raw	104	1.5	480
20	Yellow	PBT-GF20	Raw or tin plated	PC	Raw	117	2.5	720
25	Natural	PBT-GF20	Raw or tin plated	PSU	Raw	104	2.5	1155
30	Green	PBT-GF20	Raw or tin plated	PSU	Raw	103	4.0	1843
40	Orange	PBT-GF20	Raw or tin plated			101	6.0	2880

OVERALL DIMENSIONS



MELTING TIME AND CURVE

Operating time limits:

% IR	Min [s]	Max [s]
1.00	-	-
1.10	360000	∞
1.35	0.75	600
1.60	0.25	50
2.00	0.15	5
3.50	0.04	0.5
6.00	0.02	0.1

RERATING CURVE

